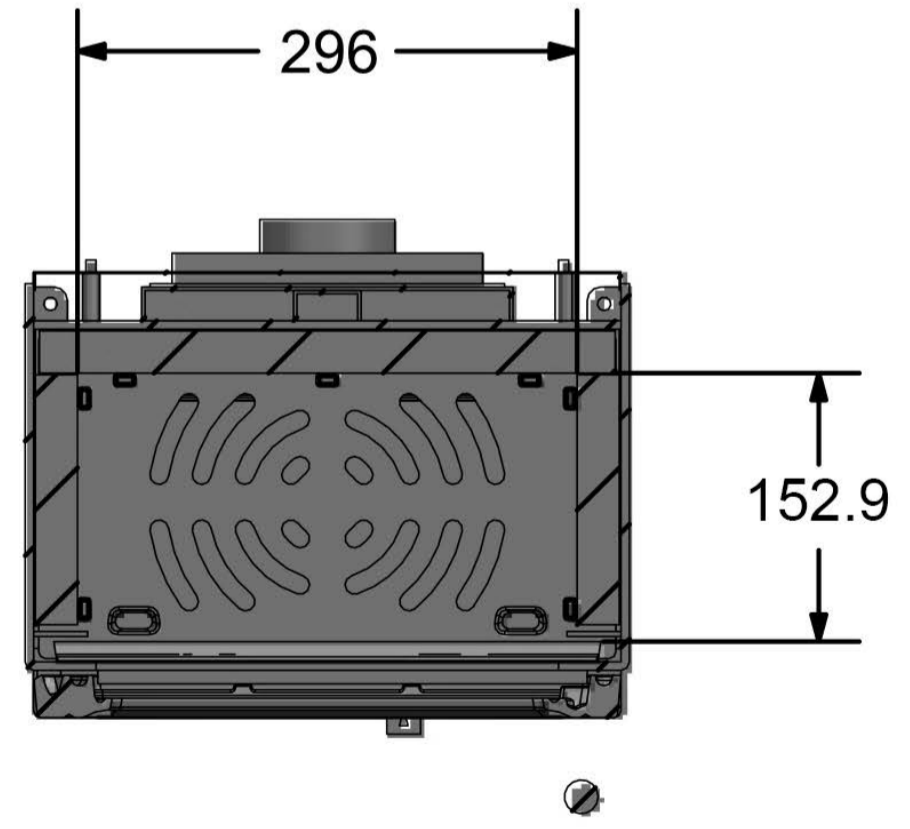
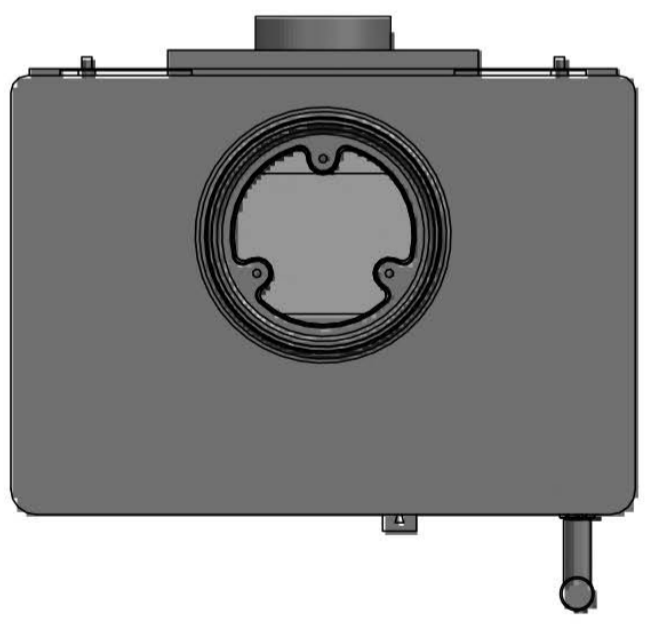
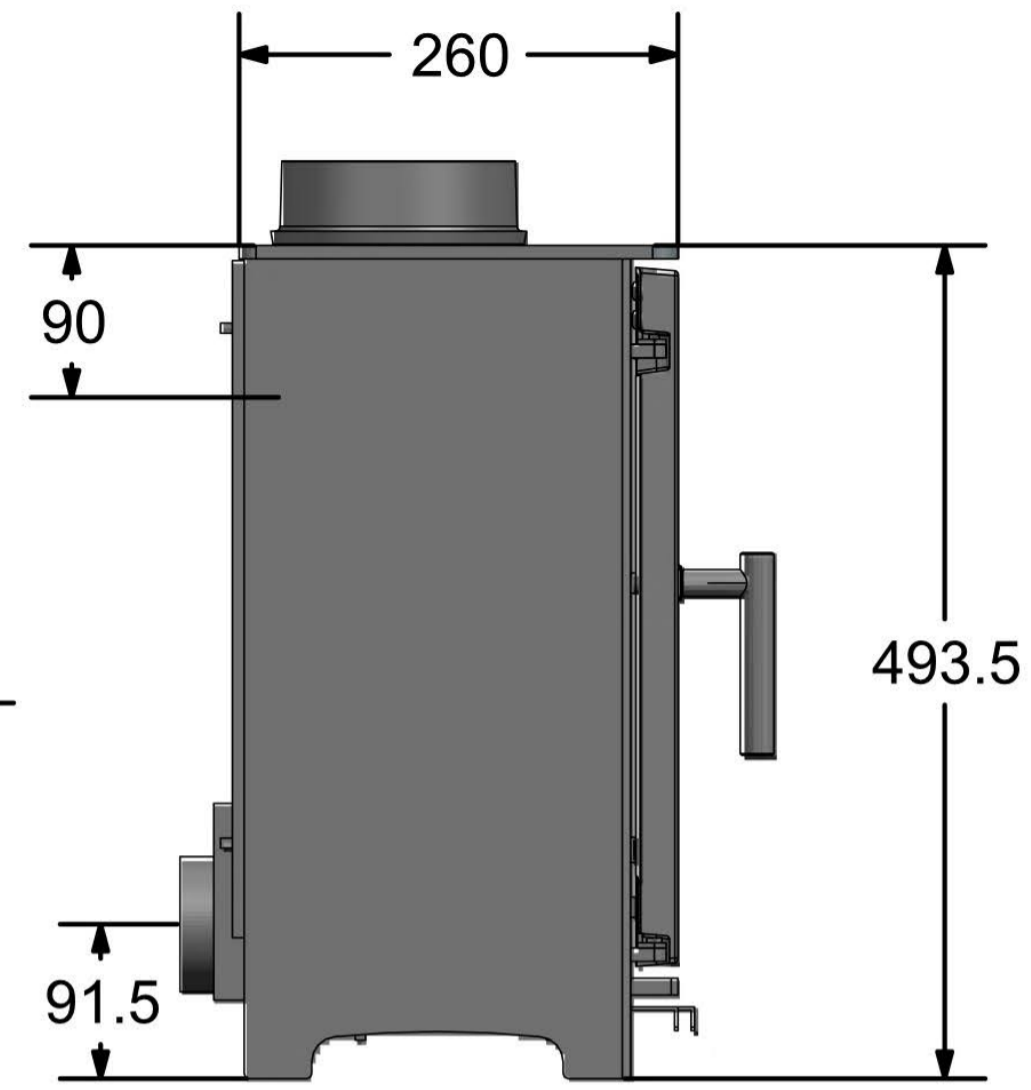
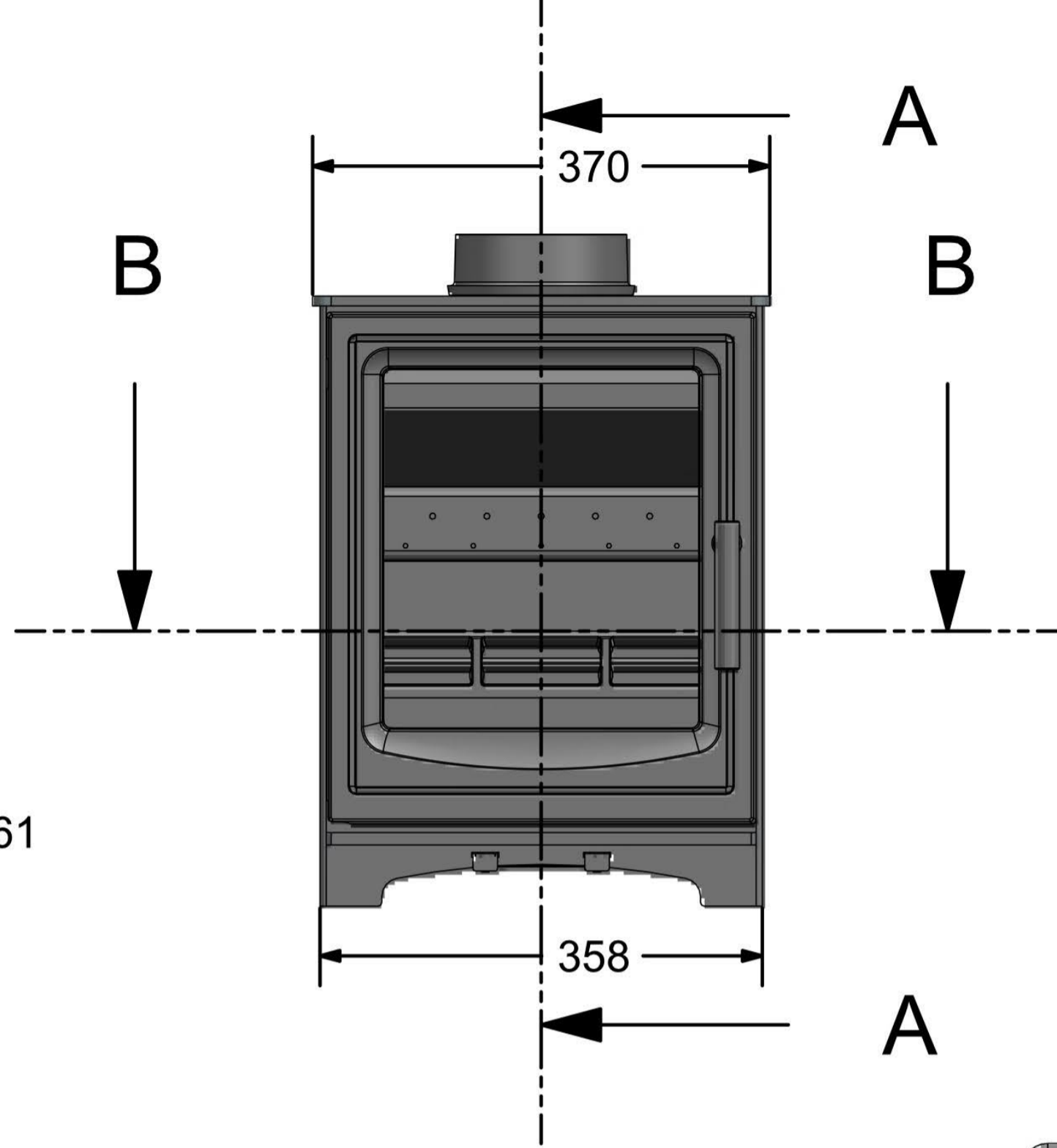
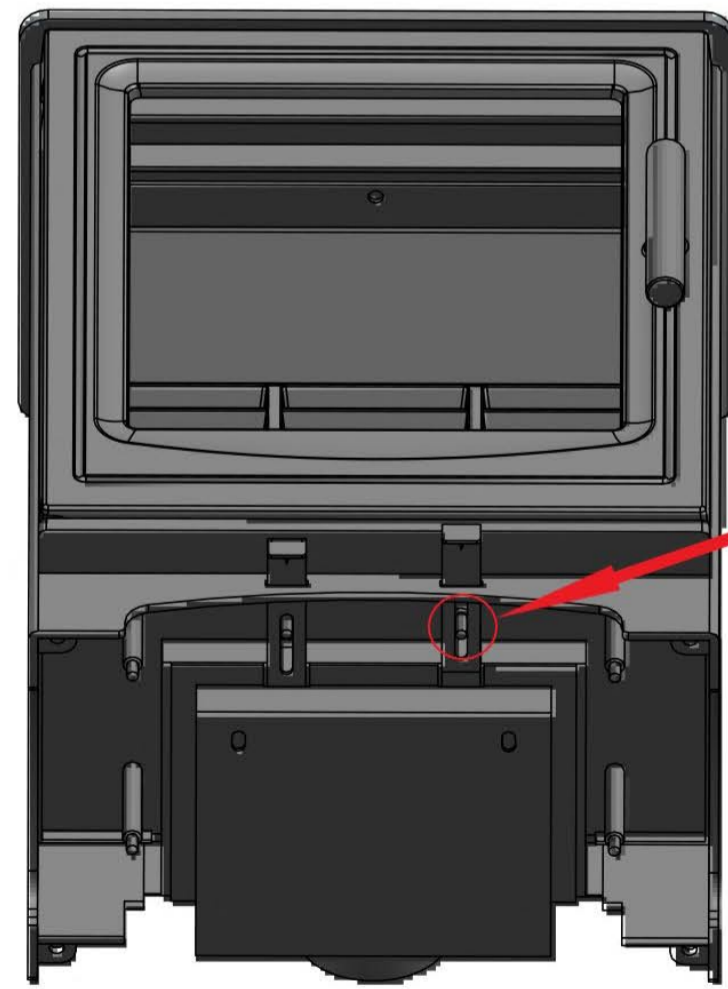


SECTION A-A



SECTION B-B



We will use a screw here for preventing closure of secondary air control beyond 7mm open