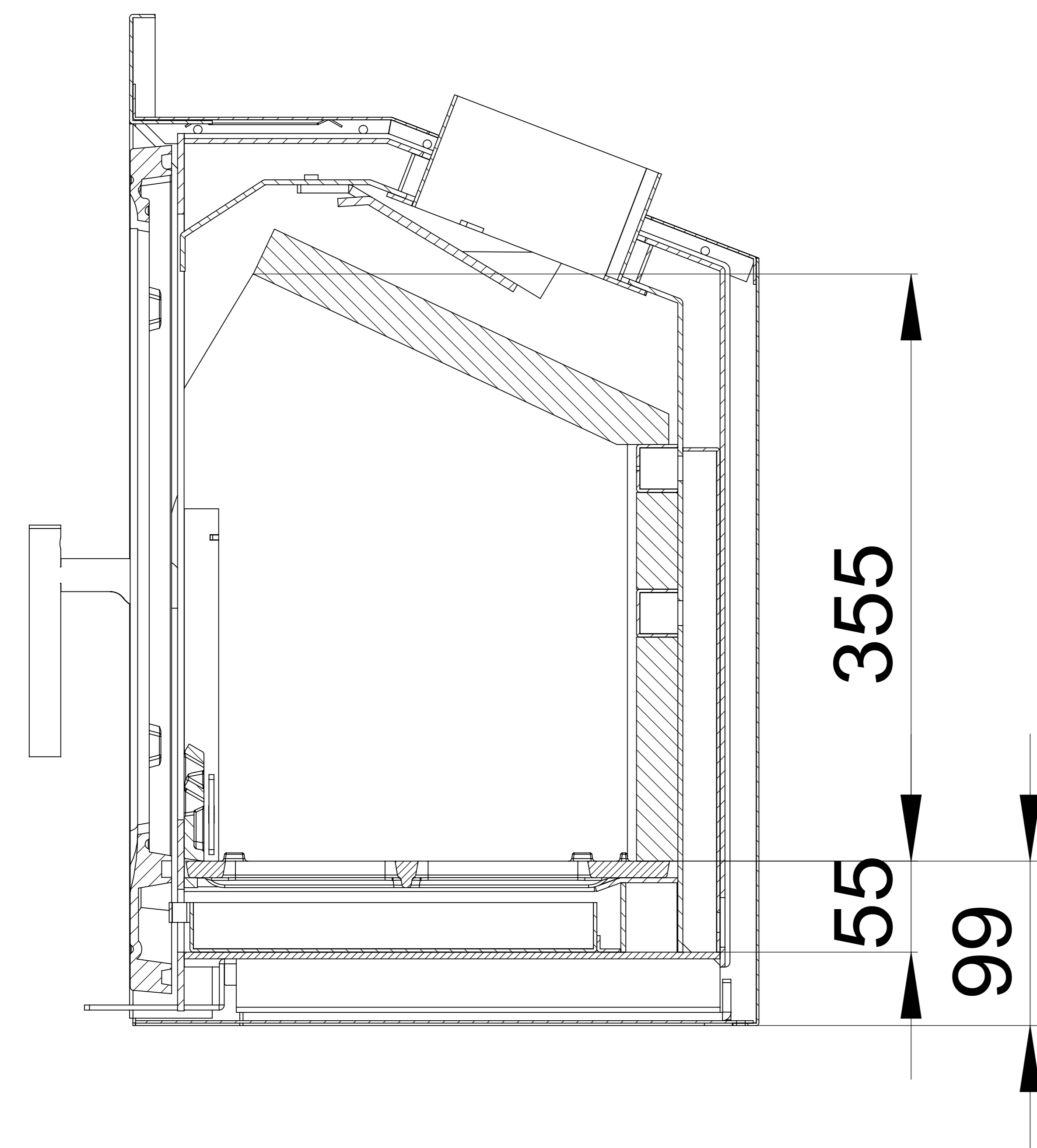
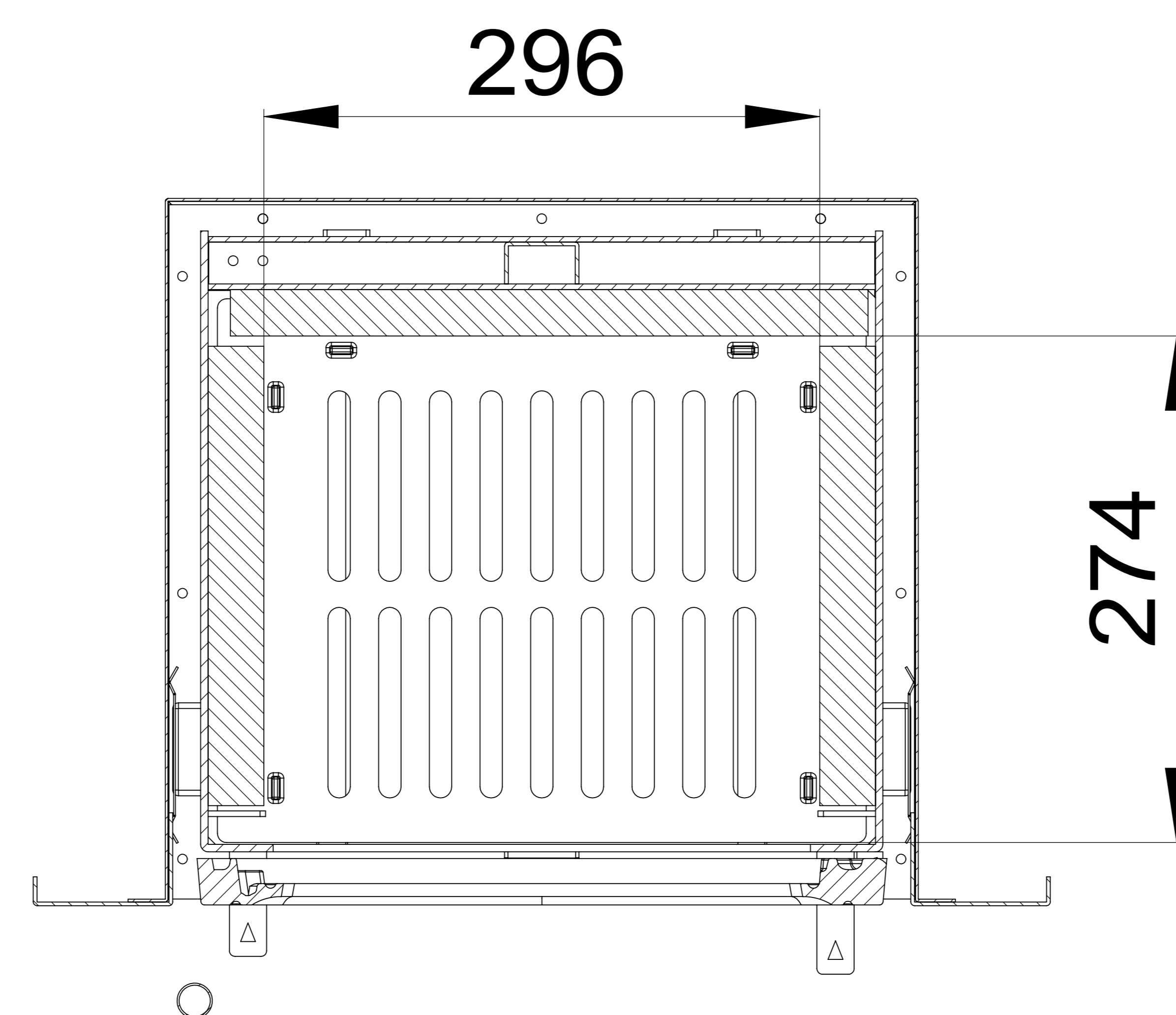
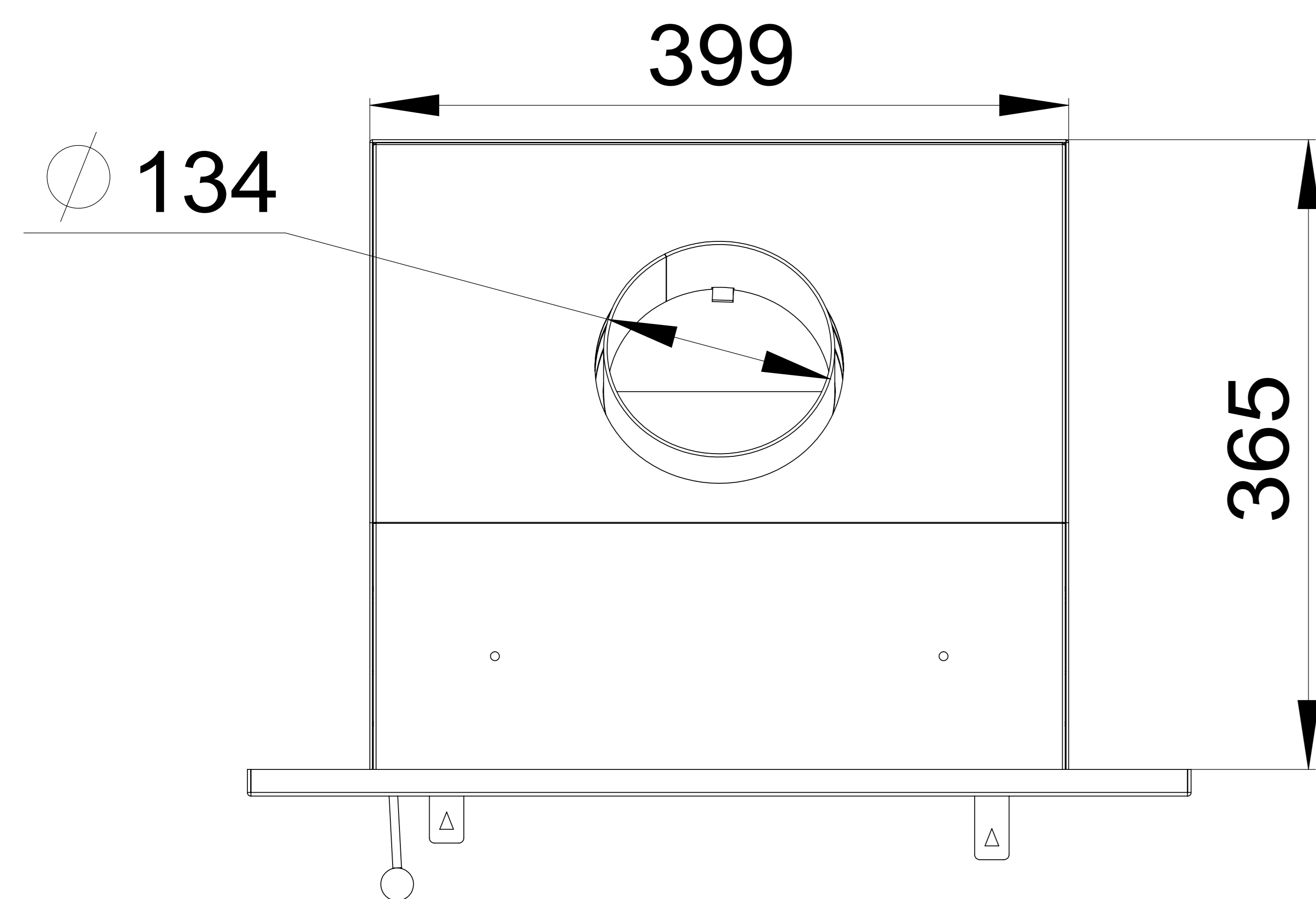
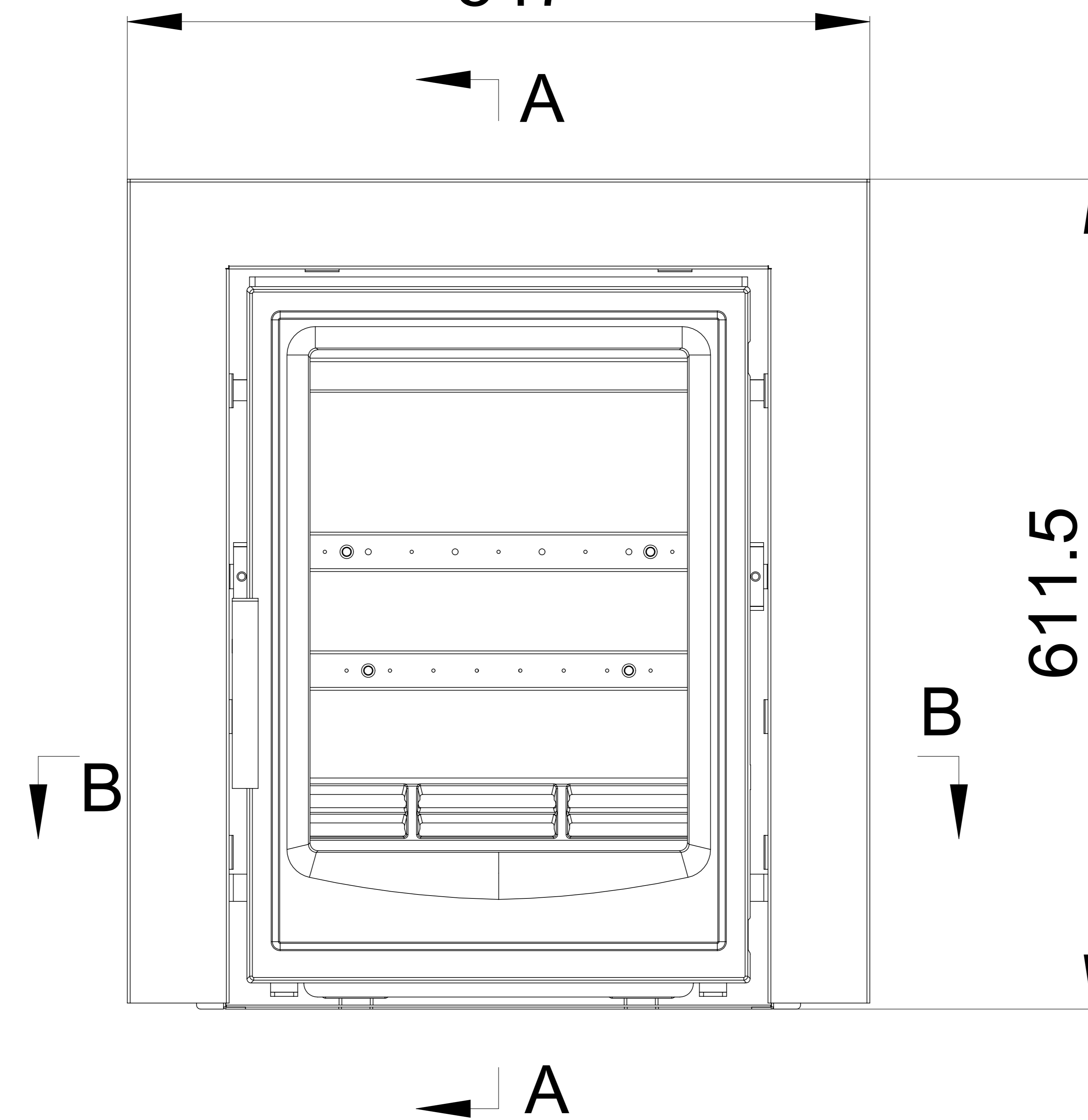


STOVE NAME:eCoFlame 4i

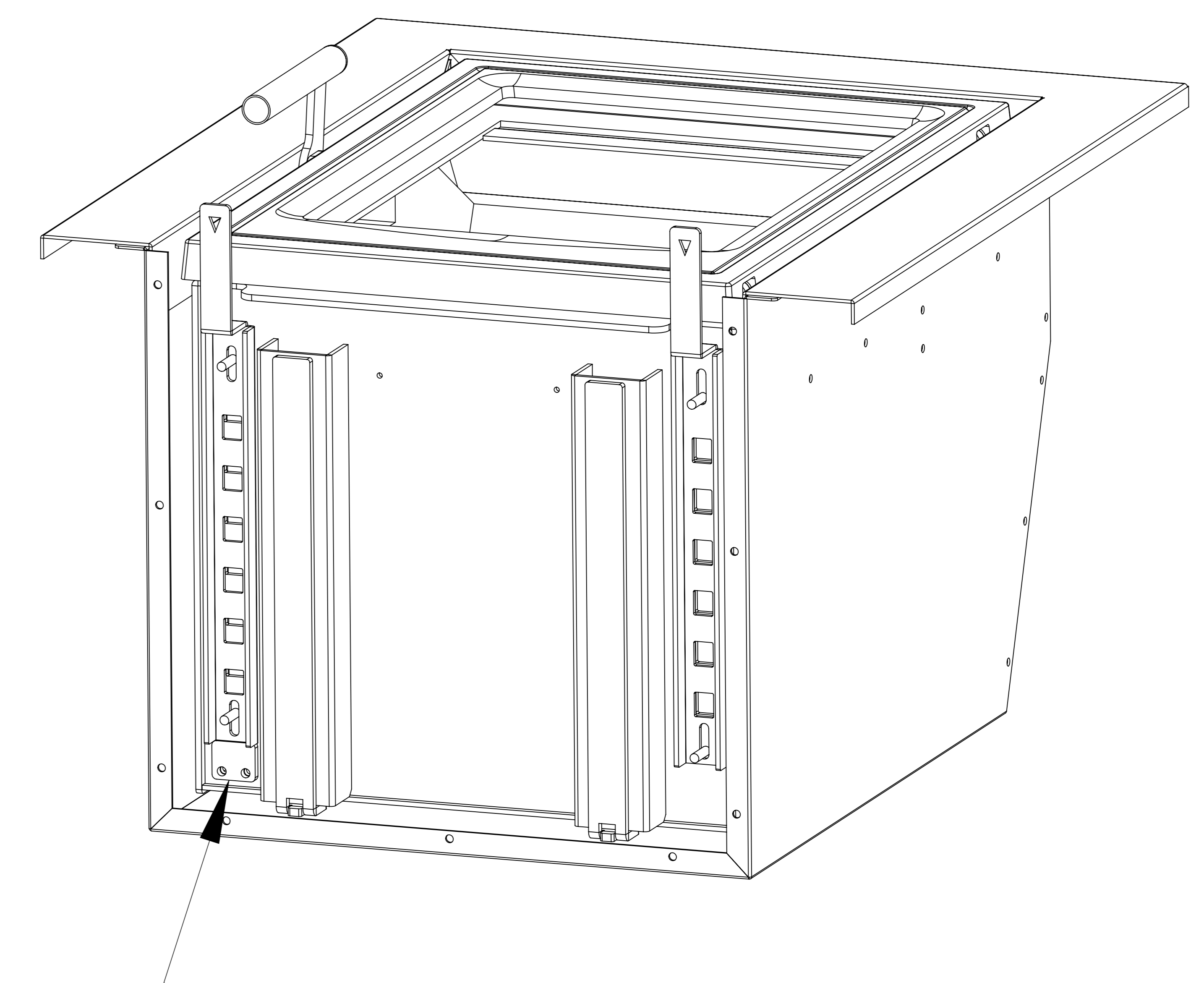
547



SECTION A-A



SECTION B-B



We will add a steel plate here for preventing closure of secondary air control beyond 5.25mm